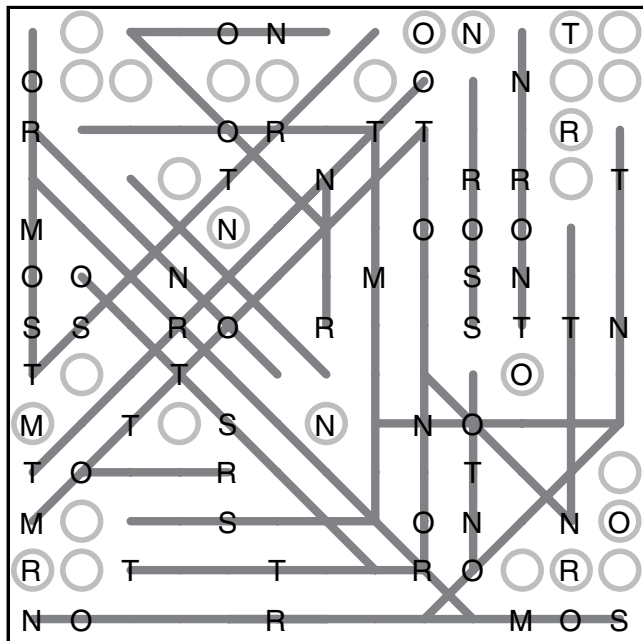


WHERE IN THE WORLD

Work out all the words needed to complete the titles of these iconic songs. Cross them off the grid and the remaining letters will spell the title of a song with an affirming universal message.



SOLUTION:

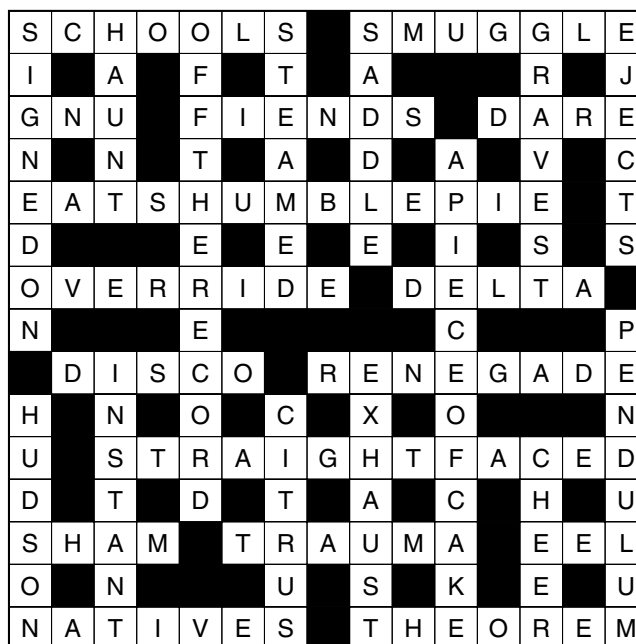
- | | |
|------------------------------------|-----------------------------------|
| 1. All dressed up and ... to go | 16. Put one foot ... of the other |
| 2. ... the black stump | 17. Quit while you're ... |
| 3. ... in the dumps | 18. Rap ... the knuckles |
| 4. Feel ... of the world | 19. Scrape ... of the barrel |
| 5. First and ... | 20. Slip ... the cracks |
| 6. Fly the radar | 21. So ... and yet so far |
| 7. Go ... for the ride | 22. ... in the neighbourhood of |
| 8. Head and shoulders ... the rest | 23. Speak in a ... way |
| 9. Head ... heels in love | 24. That's ... the point |
| 10. Here, there and ... | 25. The ... thing from my mind |
| 11. Hit ... the belt | 26. ... lies the problem |
| 12. Hither and ... | 27. Think ... the box |
| 13. In ... of nowhere | 28. ... thick and thin |
| 14. Into the wide blue ... | |
| 15. Out of the frying pan and | |

SCRIBBLE SPACE:



CRYPTIC

Use the cryptic clues below to solve this crossword with a twist.



ACROSS

- Where groups of swimmers are taught? (7)
- Sneak in to avoid duty (7)
- Magnuson fenced in wildebeest (3)
- Right off, friends became villains (6)
- Matilda regrets part of challenge (4)
- The simple beau gets confused and apologises (4,6,3)
- Reject decision regarding fairground treat (8)
- Apparently dealt a radio code (5)
- Dance in song club originally (5)
- Rebel threw grenade at Edward the First (8)
- With a serious expression, cook grated catfish (8-5)
- False M*A*S*H disguise (4)
- Deep shock for the half-tragic actress Thurman (6)
- Fish in heels (3)
- Vainest characters are the locals, getting restless (7)
- Proposition for the ore, first of many (7)

DOWN

- Enlisted placard roughly done (6,2)
- Frequently visit hothead relative (5)
- Unofficially taken from the album (3,3,6)
- Misted and angry, when up following me instead (7)
- Burden with jockey's seat (6)
- Most solemn burial place on street (7)
- Expels majority of rejects (6)
- An easy task for a section of Black Forest (1,5,2,4)
- Weight that swings, like England, according to Roger Miller (8)
- Moment before coffee replay? (7)
- Completely use up waste gases (7)
- Hounds destroyed New York flower (6)
- Type of fruit could look rustic (6)
- Applaud excellent spirits (5)